



Poles, ornaments & accessories





Poles, ornaments &

POLE TYPE	A							B	
-----------	---	--	--	--	--	--	--	---	--

12'
144"

ft
in



(A) ALUMINUM OR (S) STEEL MATERIAL	A	A	A	S	A	A	A	A	A
SUGGESTED MAX. HEIGHT	20'	20'	20'	20'	20'	20'	20'	15'	15'
BOLT CIRCLE DIAMETER	10"	8.5"	8"	8"	8.5"	12"	9.5"	8"	8"
BASE HEIGHT	-							28"	28"
BASE COVER	G	A, B, C, D, E, F	A, B, C, D, E, F	A, B, C, D, E, F	A, F	G	A	not required	
ANCHOR BOLTS	4 bolts, 3/4-10, 18"							3 bolts, 3/8-16, 12"	

ORNAMENTAL BASE COVERS

Snoc cast aluminum base covers are precision molded to add a decorative dimension to straight sided poles. They may be added after the pole is installed.



Style A

Round base
Width: 11.5", 12", 12.5"
Height: 4", 4.5", 5"
Opening: 4", 5", 6"



Style B

Round base
Width: 11"
Height: 9.5"
Opening: 4"



Style C

Round base
Width: 11"
Height: 24"
Opening: 4"



Style D

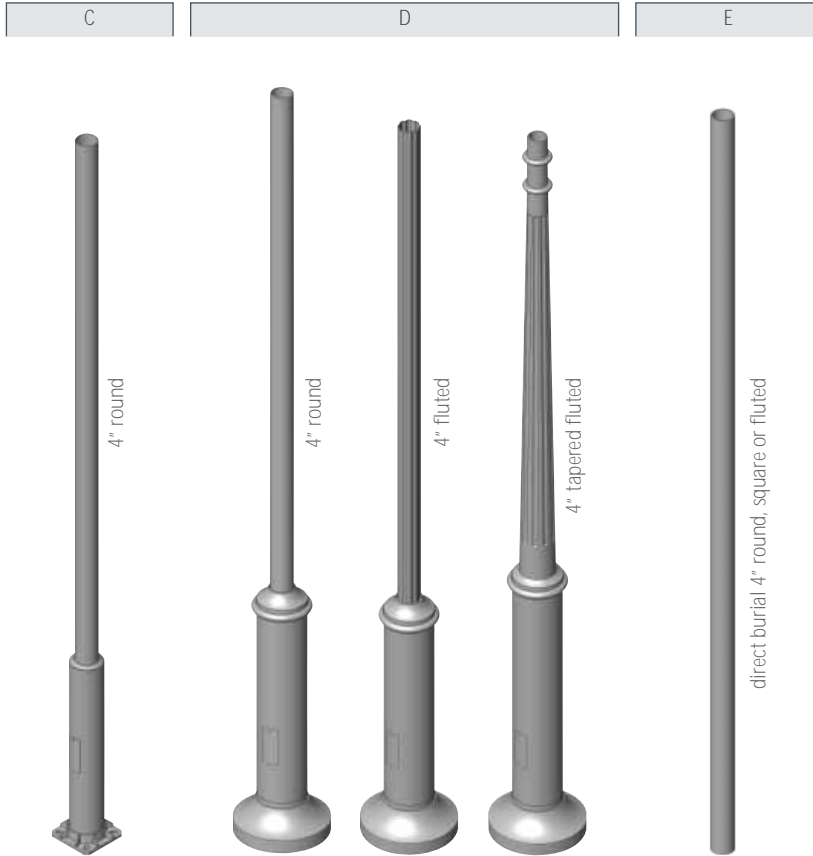
Octagonal base
Width: 13"
Height: 28"
Opening: 4"



Style E

Round base
Width: 13"
Height: 40"
Opening: 4"

accessories



A	A	A	A	A or S
20'	20'	20'	14'	20'
9.5"	12"	12"	12"	-
37"	48"	48"	24"-72"	-
A	H included			-
4 bolts, 3/4-10, 18"	4 bolts, 3/4-10, 18"			-



Style F
Round base
Width: 16.5"
Height: 52"
Opening: 4", 5"

Style G
Square base
Width: 10", 12"
Height: 4", 5"
Opening: 4", 5"

Style H
Round base
Width: 10"
Height: 4"
Opening: 8.5"

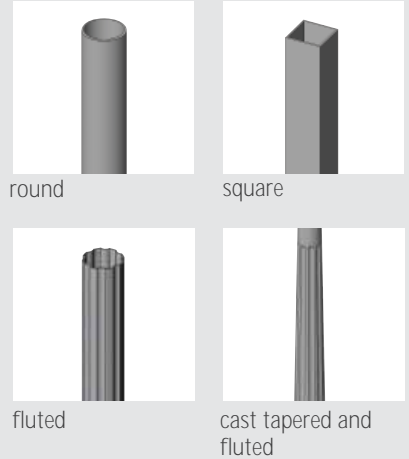
Bolt caps
Width: 2.125"
Height: 2"

MATERIALS

All Snoc poles and accessories are available in aluminum and certain poles are available in steel.

EXTRUSION STYLES

Snoc offers a variety of shaft styles including:



FINISHES

Snoc provides some of the toughest powder coated finishes in the industry and extends a 5 year warranty against peeling.

Antique and metallic finishes are reinforced with a coat of specially formulated UV treated outdoor lacquer to prevent fading. Snoc can also match any RAL# for customized finishes.

To view the complete selection of Snoc finishes, visit our web site at www.snocinc.com



black

antique bronze

pewter

antique silver

antique copper

verde green

POLE FEATURES

- Extruded or cast aluminum shafts.
- Decorative cast aluminum base covers and transitions.
- Heavier wall thickness for taller poles to minimize swaying in stronger winds.
- Standard or customized hand holes, templates and anchor bolts.

WARRANTIES

- Lifetime warranty on extruded and cast aluminum parts.
- 5 Year warranty against the peeling of paint finishes.

MADE IN CANADA

STANDARD OPTIONS FOR ROUND POLES

The options shown below are primarily for 4" diameter round poles. For projects requiring these accessories for other pole styles and sizes consult factory.



Photocell



Surface receptacle



Cross-bar A



Cross-bar B



Cross-bar C



Decorative planter arm



Planter arm



Banner

ORDERING CODES

POLE TYPES	MATERIALS	DIAMETERS
A Type A	A Aluminum	4 4 inches
B Type B	S Steel	5 5 inches
C Type C		6 6 inches
D Type D		
E Direct burial		

EXTRUSION STYLES	HEIGHT (ft)
R Round	XX Height
S Square	
F Fluted	
T Tapered fluted	

BASE COVERS	OPTIONS
A Style A	PR Photocell
B Style B	SR Surface receptacle
C Style C	CA Cross-bar A
D Style D	CB Cross-bar B
E Style E	CC Cross-bar C
F Style F	CD Decorative planter arm
G Style G	PA Planter arm
H Style H	BA Banner
Y Bolt cap	TW Thicker wall
X No base cover	

FINISHES	
BK Black	OR Gold
BL Blue	CS Coastal Sand
WH White	SB Satin Burgundy
AB Antique Bronze	VB Victorian Bronze
VG Verde Green	PE Pewter
TC Terracotta	CC Oak Copper
AV Antique Silver	GG Golden Green
AP Antique Copper	GR Graphite
BZ Architectural Brown	ZE Bronze Edges
AT Anthracite	XX Custom Color

ORDERING EXAMPLE

A - A - 4 - R - 10 - A - BK

this would order:

A: type A pole
 A: aluminum material
 4: 4" diameter
 R: round extrusion
 10: 10' height
 A: style A base cover
 BK: black finish

MULTI LIGHT ASSEMBLIES

Snoc luminaires for multihead assemblies are all mounted on a central hub designed to fit at the top of the pole. This concept eliminates totally on site drilling which can vary from hole to hole.

The luminaire assembly can be rotated horizontally at will to help achieve perfect orientation with respect to the street and/or pre-installed anchor bolts.



Conform to CSA and UL standards

The physical properties of the Snoc products shown in this catalog represent typical average values obtained in accordance with accepted test methods and are subject to normal manufacturing variations. They are supplied as technical guidelines and are subject to change without notice.



SNOC INC.
17200, Centrale, St-Hyacinthe
Quebec, Canada J2T 4J7
1 (800) 461-7662
www.snocinc.com

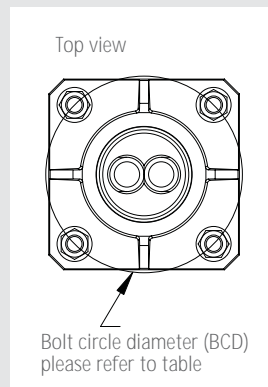
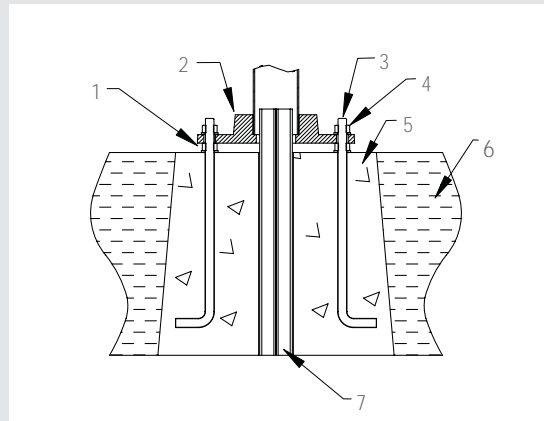
ACCESS HOLES & COVERS

Snoc poles are all supplied with access openings near the base to simplify electrical servicing during and after installation.



Snoc's casting expertise can produce individual, municipal logos and emblems upon request.

ANCHORING INFORMATION



- 1 Leveling nut and washer
- 2 Pole and base
- 3 Anchor bolt
- 4 Nut and washer
- 5 Concrete base
- 6 Dirt
- 7 Conduit for supply wires and circuit extension

HYDRO APPROVED PREFAB JUNCTION BASES

Snoc poles are compatible with hydro approved multi service cabinets and sub-terranean bases used by an increasing number of municipalities.